

RCD

DINI ARGEO DIGITAL COLUMN LOAD CELL, IN STAINLESS STEEL, "RCD" SERIES



Digital version of compression load cells, ideal for CE-M approved weighbridges, tanks, silos, etc. Manufactured in STAINLESS STEEL, with IP68 protection, 4000 divisions, fitted with "rodent proof" armoured cable.

CAPACITIES (kg): 30000/40000.

OIML R60. C4 precision class.

Load cells with stainless steel body. Degree of protection IP68.

18m Armoured Rodent Resistant Cable, with standard Stainless Steel Armor.

Low Profile Height of only 130mm.

Working in cooperation with:

AHNE TECH STAFF
-- MUSCAT
alhinaioman@gmail.com

The best solution
for advanced industrial
applications

TECHNICAL FEATURES

- METROLOGICAL:
- Rated capacity (Cn): 30/40t
- Combined error: $\pm 0,014 \%Cn$
- Temperature effect on zero: $0,0016 \%Cn/^{\circ}C$
- Temperature effect on sensitivity: $0,0012 \%Cn/^{\circ}C$
- Creep error (30 min.): $0,021 \%Cn$

LEGAL METROLOGY OIML R60

- Accuracy class: C4
- Max. number of intervals (nmax): 4000e OIML
- Minimum verification interval (vmin): 10000
- $Z = E_{max}/(2 \times DR)$: 4000

ELECTRICAL

- Nominal range of excitation voltage: 10 - 16Vdc
- Rated output: 200000d
- Current consumption: 35mA
- Conversion type: Delta-sigma
- Internal resolution: 24 bit
- Converter rate: max. 100 conv./sec.
- RS485 interface communication rate: 4800/19200 bit/sec.
- Protection against electrostatic discharge according to IEC 61326-1

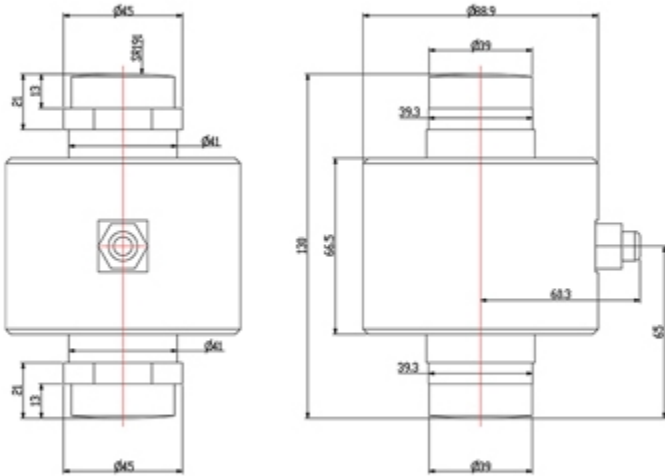
GENERAL

- Service temperature range: $-20 \sim +60^{\circ}C$
- Compensated temperature range: $-10 \sim +40^{\circ}C$
- Safe load limit: 150% Emax
- Ultimate overload: 300% Emax
- Protection degree IP68
- Load cells with stainless steel body
- 6-core armoured cable, PVC sheath, 18m length.
- Nickel plated steel cable gland.
- Armoured Anti Rodent Cable with Stainless Steel Armour.
- Self-centring spherical bases.
- Equipped with anti-rotation system, to be combined with KRCA cups for proper operation.

WIRING CODE

RCD cell connections	
<i>Colour</i>	<i>Function</i>
Input	
WHITE	INPUT +
BROWN	INPUT -
Input signal	
GREY	A+
PINK	B-
Output signal	
GREEN	A+
YELLOW	B-

DETAIL 1



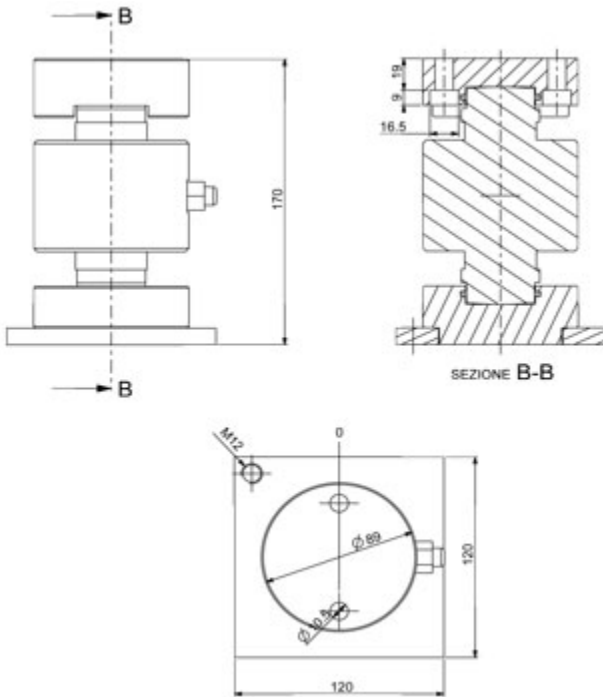
Technical drawing in mm.

DETAIL 2



RCD load cell complete with optional KRCA kit.

DETAIL 3



Technical drawing in mm with optional KRCA kit.

VERSIONS

Available versions

Codice	Max (kg)
RCD30C4	30000
RCD40C4	40000



www.diniargeo.com



“YOUR WORLDWIDE PARTNER FOR WEIGHING,,”

DINI ARGEO
FRANCE sarl
Nogent-sur-Marne

DINI ARGEO
GMBH
Sinsheim - Germany

DINI ARGEO
UK Ltd
Taunton - United Kingdom

DINI ARGEO WEIGHING
INSTRUMENTS Ltd
Shanghai - China

DINI ARGEO
WEIGHBRIDGES
Calto (RO) – Italy



HEAD OFFICE
Via Della Fisica, 20
41042 Spezzano di Fiorano Modena - Italy



AHNE TECH STAFF

-- MUSCAT

alhinaoman@gmail.com

SALES AND TECHNICAL ASSISTANCE SERVICE

All the specifications and images can be subject to variations and upgrades without prior notice.