

## RCA

DINI AR GEO ANALOGUE COLUMN LOAD CELL, IN STAINLESS STEEL, "RCA" SERIES



Analogue version of compression load cells, ideal for CE-M approved weighbridges, tanks, silos, etc. Manufactured in STAINLESS STEEL, IP68 protection, 4000 divisions, fitted with "rodent proof" armoured cable.

---

**CAPACITIES (kg):** 30000.

---

**OIML R60. C4** precision class.

---

**Load cells with stainless steel body. Degree of protection IP68.**

---

**20m Armoured Rodent Resistant Cable, with standard Stainless Steel Armor.**

---

**Integrated Surge Arresters as Standard**

---

**Low Profile Height of only 130mm.**

---

**Version available for ATEX environments.**

---



## TECHNICAL FEATURES

- METROLOGICAL:
- Rated capacity (Cn): 30t
- Combined error:  $\pm 0,013 \%Cn$
- Temperature effect on zero:  $0,0014 \%Cn/^{\circ}C$
- Temperature effect on sensitivity:  $0,0011 \%Cn/^{\circ}C$
- Creep error (30 min.):  $0,018 \%Cn$

### LEGAL METROLOGY OIML R60

- Accuracy class: C4
- Max. number of intervals (nmax): 4000e OIML
- Minimum verification interval (vmin): 10000
- $Z = E_{max}/(2 \times DR)$ : 4000

### ELECTRICAL

- Nominal range of excitation voltage: 1 - 15Vdc
- Rated output at Cn: 2mV/V
- Zero balance:  $< \pm 2.50 \%Cn$
- Input resistance:  $815 \pm 20\Omega$
- Output resistance:  $700 \pm 0.35\Omega$
- Current Adjustment:  $0,1 \%Cn$
- Over voltage protection: 10kA/20kV (8/20 $\mu$ s) - IEC61000-4/5
- Insulation resistance: 5000M $\Omega$ /50V

### GENERAL

- Service temperature range:  $-20 \sim +60^{\circ}C$
- Compensated temperature range:  $-10 \sim +40^{\circ}C$
- Safe load limit: 150% Emax
- Ultimate overload: 300% Emax
- Protection degree IP68
- Load cells with stainless steel body
- 4-core armoured cable, PVC sheath, 20m length, 7mm diameter.
- Nickel plated steel cable gland.
- Armoured Anti Rodent Cable with Stainless Steel Armour.
- Self-centring spherical bases.
- Equipped with anti-rotation system, to be combined with KRCA cups for proper operation.

## ATEX VERSION RCA LOAD CELL

- An ATEX version of the RCA load cell is available for explosive atmospheres.
- The CCATEX certificate makes the load cell suitable for use in hazardous areas with protection methods according to:  
ATEX II 1G Ex ia IIC T6 (Ta  $-20 \div +40^{\circ}C$ ) TX (Ta  $-20 \div +65^{\circ}C$ ) Ga  
ATEX II 1D Ex ta IIIC TX $^{\circ}C$  (Ta  $-20 \div +40^{\circ}C$ ) TX $^{\circ}C$  (Ta  $-20 \div +65^{\circ}C$ ) Da IP65.  
The certificate includes the manual and the ATEX CE conformity declaration (available in EN, DE, FR, and IT).
- **IMPORTANT:** the certificate refers to the single load cell. For systems with more load cells, it is necessary to order one certificate for each load cell.

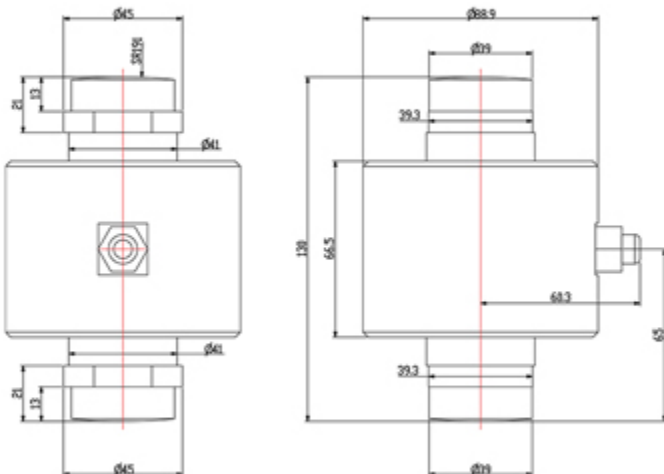
## RCA LOAD CELL: CONNECTION CABLE

Wiring Code	
Colour	Function
WHITE	OUTPUT +
RED	INPUT +
YELLOW	OUTPUT -
BLUE	INPUT -

## RCA LOAD CELL: INSTALLATION KIT

- The KRCA kit allows a correct installation of the RCA load cells below the weighbridge plate
- The kit consists of an upper cup with anti-rotation system, a lower cup and a two-hole plate for easier and faster fixing. All components are made from nickel-plated steel.
- Both cups are designed for optimal operation in conjunction with the cell's self-centring spherical bases, allowing their proper oscillation and return to position.
- The cups are also fitted with triple function integrated washers:
  - they keep lubricating grease in its place.
  - they simplify the proper positioning and levelling of the cell and support it during installation/maintenance.
  - they protect the system by preventing dirt and water from accumulating on the bottom of the cup, thus maintaining the correct oscillation and mechanical compensation of the load cells over time.

### DETAIL 1



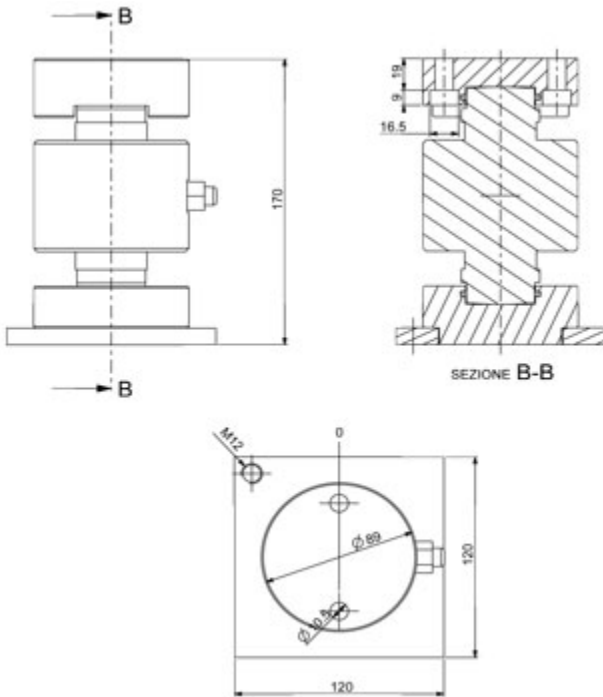
Technical drawing in mm.

### DETAIL 2



RCA load cell complete with optional KRCA kit.

## DETAIL 3



Technical drawing in mm with optional KRCA kit.

## VERSIONS

### Available versions

Code	Max (kg)
RCA30C4 	30000



“YOUR WORLDWIDE PARTNER FOR WEIGHING”

**DINI ARGEO**  
**FRANCE** sarl  
France

**DINI ARGEO**  
**GMBH**  
Germany

**DINI ARGEO**  
**UK Ltd**  
United Kingdom

**DINI ARGEO WEIGHING**  
**INSTRUMENTS Ltd**  
China

**DINI ARGEO**  
**OCEANIA**  
Australia



**COMPANY HEADQUARTERS**

Via Della Fisica, 20  
41042 Spezzano di Fiorano Modena • Italy  
Tel. +39.0536 843418

**SERVICE ASSISTANCE**

Via Dell'Elettronica, 15  
41042 Spezzano di Fiorano Modena • Italy  
Tel. +39.0536 921784



SALES AND TECHNICAL ASSISTANCE SERVICE